

RECHARGEABLE SEALED LEAD ACID BATTERY

SPECIFICATION



MP0,8-12H

Nominal Voltage(V) 12V

Nominal Capacity

20 hour rate	(0.04A to 10.50V)	0.8Ah
10 hour rate	(0.076A to 10.50V)	0.76Ah
5 hour rate	(0.136A to 10.20V)	0.68Ah
1 C	(0.8A to 9.60V)	0.453Ah
3 C	(2.4A to 9.60V)	0.32Ah

Weight Approx. 400g(0.88Lbs.)

Internal Resistance (at 1KHz) Approx. 125 mΩ

Maximum Discharge Current for 5 seconds: 12A

Charging Methods at 25°C(77°F)

Cycle use:	
Charging Voltage	14.4 to 15.0V
Coefficient	-5.0mv/°C/cell
Maximum Charging Current:	0.24A
Standby use:	
Float Charging Voltage	13.5 to 13.8V
Coefficient	-3.0mv/°C/cell

Operating Temperature Range

Charge	-15°C(5°F) to 40°C(104°F)
Discharge	-15°C(5°F) to 50°C(122°F)
Storage	-15°C(5°F) to 40°C(104°F)

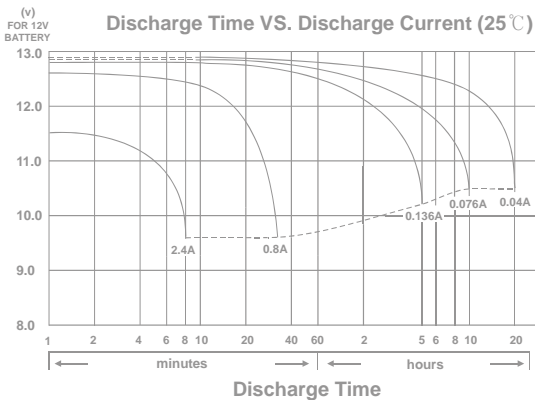
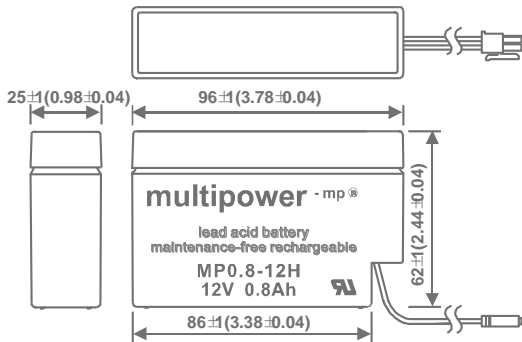
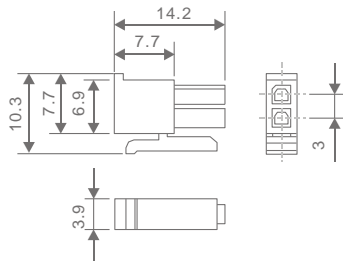
Charge Retention (shelf life) at 20°C(68°F)

1 month	92%
3 month	90%
6 month	80%

Case Material ABS
(UL94 HB flame retardant case / cover)

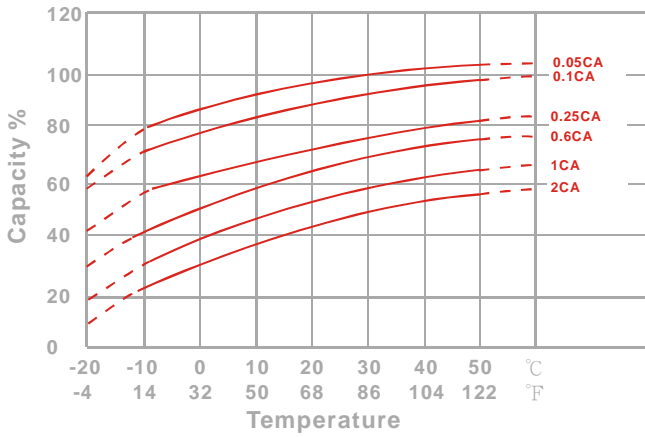
Terminal WIRE

Wi50-187

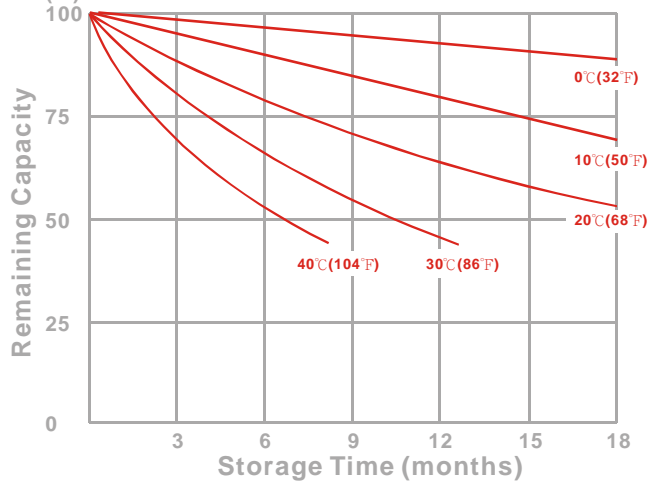


CHARACTERISTIC & PERFORMANCE DATA

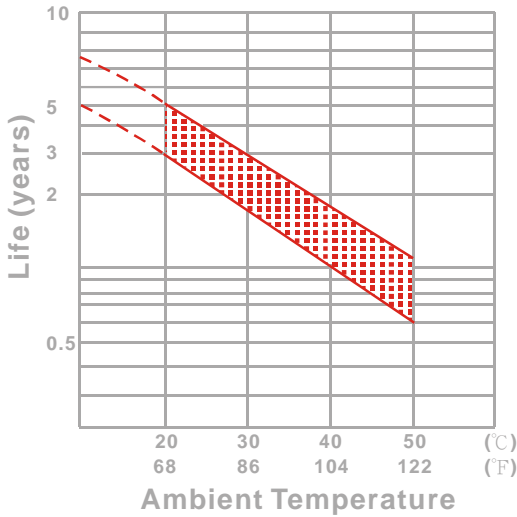
Effect of Temperature on Capacity 25°C(77°F)



Capacity Retention Characteristic



Trickle (or float) Service Life



Cycle Service Life

