

RECHARGEABLE SEALED LEAD ACID BATTERY

SPECIFICATION



MP0,8-12 / AMP

Nominal Voltage (V) 12V

Nominal Capacity

20 hour rate	(0.04A	to	10.50V)	0.80Ah
10 hour rate	(0.076A	to	10.50V)	0.76Ah
5 hour rate	(0.136A	to	10.20V)	0.68Ah
1 C	(0.8A	to	9.60V)	0.45Ah
3 C	(2.4A	to	9.60V)	0.32Ah

Weight Approx. 370g (0.82lbs)

Internal Resistance (at 1KHz) Approx. 125 mΩ

Maximum Discharge Current for 5 seconds: 12A

Charging Methods at 25°C (77°F)

Cycle use:	
Charging Voltage	14.70V to 14.80V
Coefficient	-5.0mv/°C/cell
Maximum Charging Current:	0.24A
Standby use:	
Float Charging Voltage	13.50V to 13.80V
Coefficient	-3.0mv/°C/cell

Operating Temperature Range

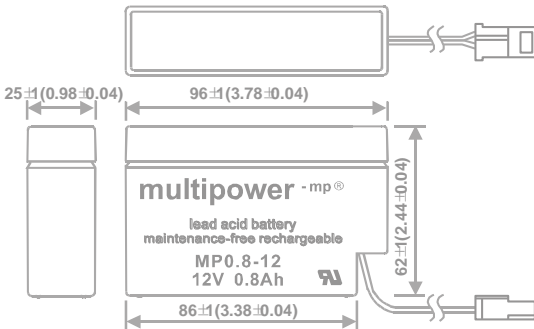
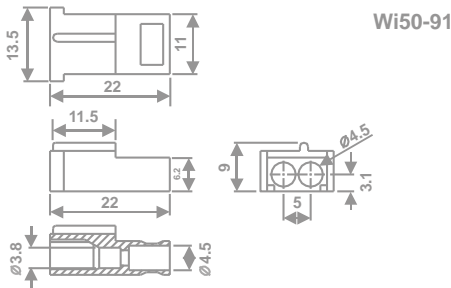
Charge	-15°C (5°F)	to	40°C (104°F)
Discharge	-15°C (5°F)	to	50°C (122°F)
Storage	-15°C (5°F)	to	40°C (104°F)

Charge Retention (shelf life) at 20°C (68°F)

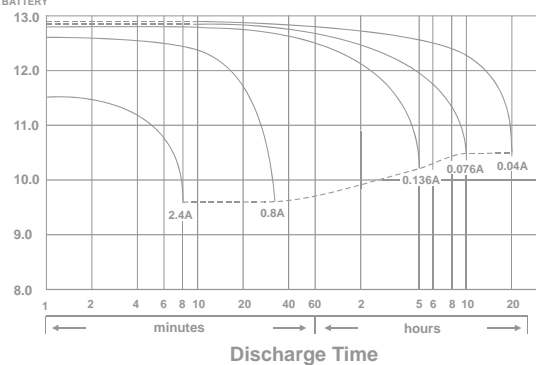
1 month	92%
3 month	90%
6 month	80%

Case Material ABS
(UL94 HB flame retardant case / cover)

Terminal WIRE

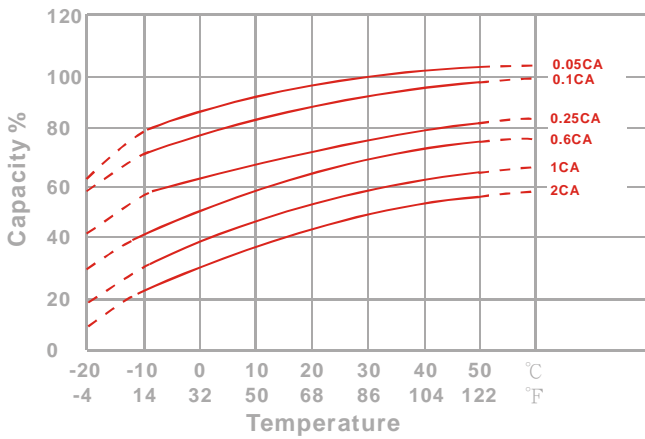


(V) FOR 12V BATTERY
Discharge Time VS. Discharge Current (25°C)

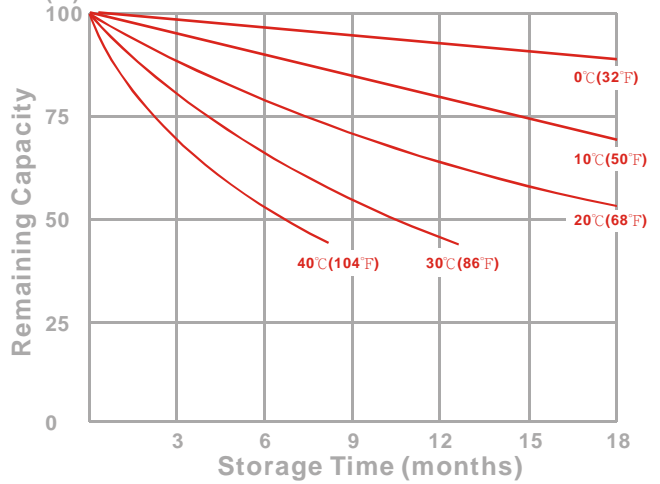


CHARACTERISTIC

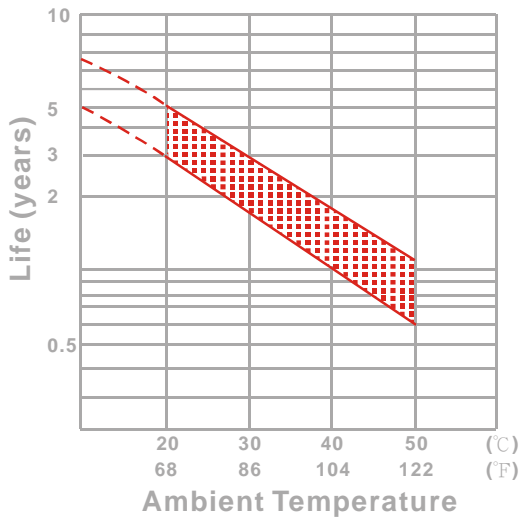
Effect of Temperature on Capacity 25°C(77°F)



Capacity Retention Characteristic



Trickle (or float) Service Life



Cycle Service Life

