

Lithium Iron Phosphate (LiFePO4) Battery Specification

SLAUMXLI100-12 (12.8V100AH)



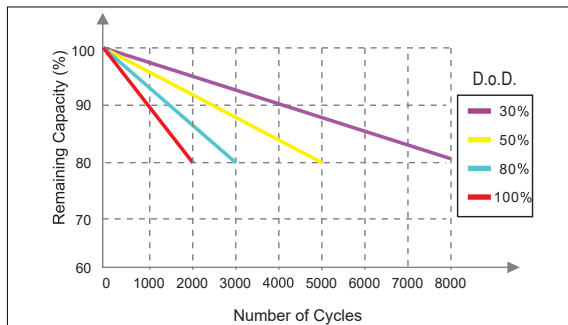
● Specifications

Nominal Voltage		12.8V
Rated capacity (20 hour rate)		100Ah
Dimensions	Total Height	223 mm (8.78 inches)
	Height	217 mm (8.54 inches)
	Length	330 mm (13.0 inches)
	Width	173 mm (6.81 inches)
Weight Approx		13,6 kg (29,48 lbs)

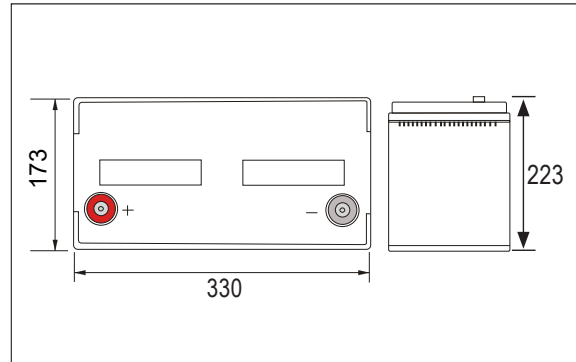
● Characteristics

Charge Discharge Properties	Efficiency of Charge	100% at 0.5C
	Efficiency of Discharge	97% at 1C
	Cycle Life	>100% DoD at 2000 cycles
Charge Characteristics	1.5 hour discharge to 10.5V	40.0 A
	Internal Resistance	<20 mΩ
	Charge Voltage	14.4±0.1V
Discharge Characteristics	Charge Current	50A
	Charge Cut-off Voltage	14.6±0.1V
	Max Continuous Current	100A
Temperature	Maximum Pulse Current	120A(<3s)
	Discharge Cut-off Voltage	10V
	Charge Temperature	0°C-45°C(32°F-113°F)
Months Self Discharge	Discharge Temperature	-20°C-60°C(-4°F-140°F)
	Storage Temperature	0°C-40°C(32°F-104°F)
	Months Self Discharge	<3%

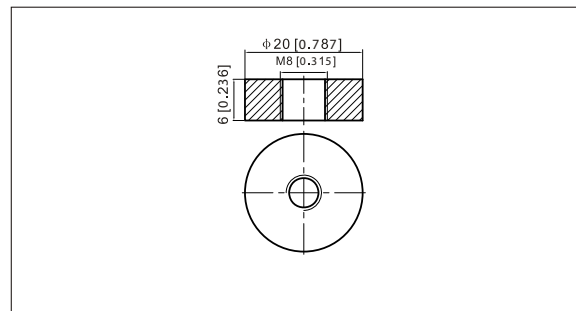
● Cycle Lifes Curves



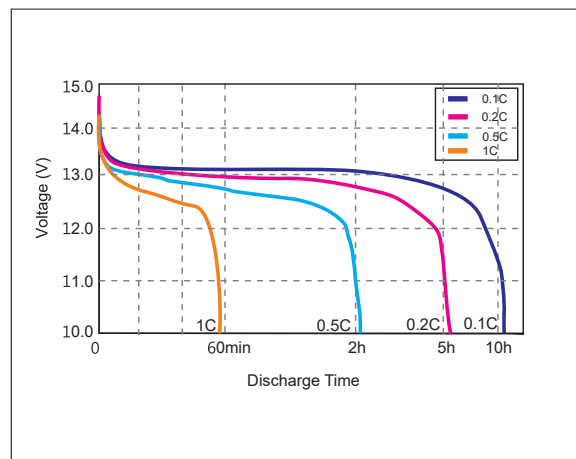
● Outer dimensions (mm)



● Terminal Type (mm)



● Discharge Curves 25°C(77°F)



● Temperature Discharge Curve 0,5C (50A)

